



# SIRCORDER

Manual transfer switches  
from 125 to 3200 A

Transfer switches



svr\_151\_a

**SIRCORDER**  
250 A



svr\_125\_a\_1\_cat

**Bypass ATS**  
500 A

## The solution for

- > Manufacturing industry
- > Power distribution



## Strong points

- > A complete range
- > Easy connections
- > Stable positions

## Conformity to standards

- > IEC 60947-6-1
- > IEC 60947-3
- > GB 14048-11



## Approvals and certifications<sup>(1)</sup>



<sup>(1)</sup> Product reference on request.

## Function

**SIRCORDER AC** are manual multipolar transfer switches with positive break indication.

The family includes three ranges:

- **SIRCORDER AC** for open transition switching (I-0-II),
- **SIRCORDER** for overlapping contact switching (I-I+II-II), and
- **SIRCORDER Bypass**. This version is a combination of three interlocked switches enabling use with 3 + 6 poles or 4 + 8 poles.

They provide switching, source inversion and transfer under load for two low voltage power circuits, as well as their safety isolation by double breaking per pole.

## Advantages

### A complete product range

Three versions of the SIRCORDER are available to ensure compatibility with the maximum number of applications: SIRCORDER AC (I-0-II) with improved on load switching characteristics and isolation position, SIRCORDER with overlapping contacts (I-I+II-II) and a BYPASS version.

### Easy connections

A copper bar connection kit is available for 2000 to 3200 A ratings. It enables various types of connection: flat or edgewise connection with top or bottom bridging.

### Stable positions

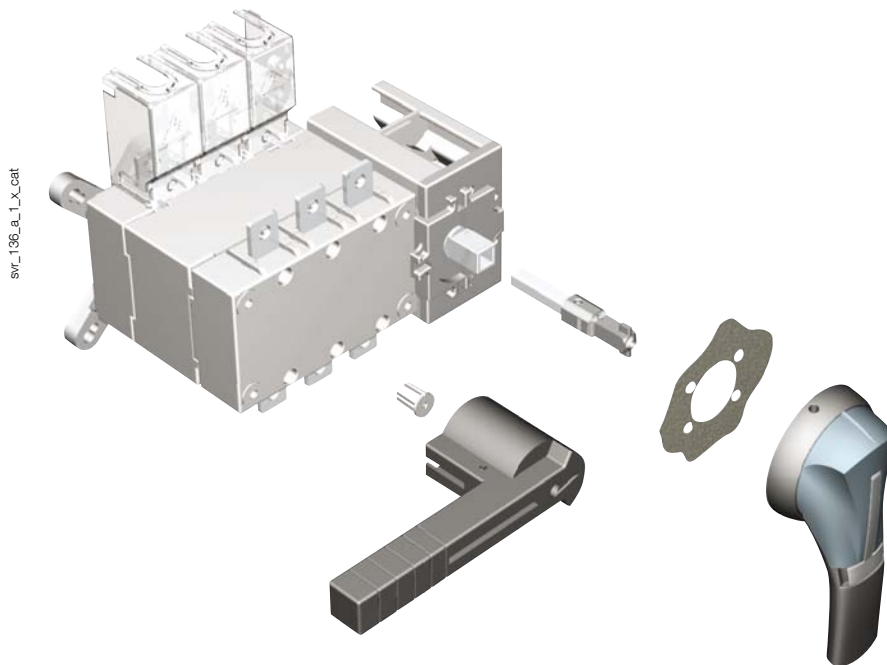
SIRCORDERs have three stable positions which are not affected by voltage drops or vibrations, thus protecting your load against network interference.

### Improved on load switching

Thanks to its AC-23 and AC-33 characteristics, which are tested in accordance with standards IEC 60947-3 and IEC 60947-6-1, the SIRCORDER AC enables secure and reliable switching on all types of load, without the need for pre-breaking upstream.

## What you need to know

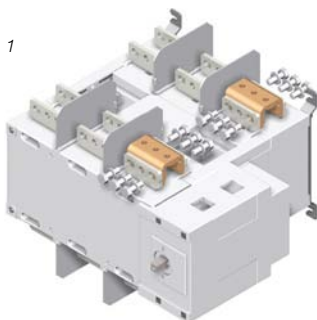
- SIRCOVER (I-0-II) switches have **3 stable positions**, and are available as 3 or 4 pole devices from 125 to 3200 A. They are available enclosed in a steel or polyester enclosure from 125 to 1600 A.
- SIRCOVER switches with **overlapping contacts** (I-I+II-II) are available as 3 or 4 pole devices from 125 to 1600 A.
- With 3 stable positions (I-0-II), SIRCOVER Bypass are a combination of three interlocked switches enabling the use with 3+6 poles or 4+8 poles from 125 to 1600 A.
- All SIRCOVER can be utilised with a **direct front** or **external operation** handle.



- **Copper bar connection kits** enable the connection between the two power terminals of the same pole (fig.1 & fig.2) and the bridging of the poles on the top or bottom side of the switch (fig.3), for ratings 2000, 2500 and 3200 A.

Fig. 1

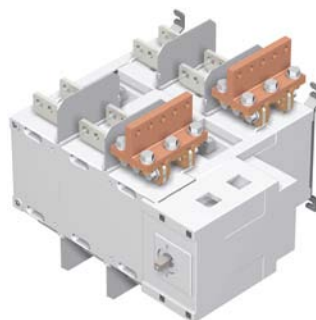
access\_226\_c\_2\_cat



Top or bottom **flat connection**

Fig. 2

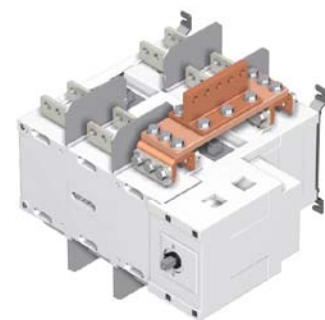
access\_229\_b\_2\_cat



Edgewise connection  
Top or bottom

Fig. 3

access\_231\_a\_1\_cat



Top or bottom **bridging connection**

# SIRCOVER

Manual transfer switches

from 125 to 3200 A

## References

### SIRCOVER AC I-0-II

Rating (A) / Frame size	No. of poles	Switch body	Direct handle	External handle	Shaft for external handle	Bridging bars	Auxiliary contact	Terminal shrouds	Terminal screens
125 A / B3	3 P	41AC 3013	J2 type Blue 1122 1111 Red 1123 1111	S2 type Black IP55 1421 2113 Black IP65 1423 2113 <sup>(1)</sup>	200 mm 1400 1020 320 mm 1400 1032 <sup>(1)</sup>	3 P 4109 3019 4 P 4109 4019	1 <sup>st</sup> /2 <sup>nd</sup> contact NO/NC 4109 0021 <sup>(2)</sup>	3 P 2694 3014 <sup>(3)(4)</sup> 4 P 2694 4014 <sup>(3)(4)</sup>	3 P 1509 3012 4 P 1509 4012
	4 P	41AC 4013							
160 A / B3	3 P	41AC 3016							
	4 P	41AC 4016							
200 A / B3	3 P	41AC 3020							
	4 P	41AC 4020							
250 A / B4	3 P	41AC 3025							
	4 P	41AC 4025							
315 A / B4	3 P	41AC 3031							
	4 P	41AC 4031							
400 A / B4	3 P	41AC 3040							
	4 P	41AC 4040							
500 A / B5	3 P	41AC 3050							
	4 P	41AC 4050							
630 A / B5	3 P	41AC 3063							
	4 P	41AC 4063							
800 A / B6	3 P	41AC 3080							
	4 P	41AC 4080							
1000 A / B6	3 P	41AC 3100							
	4 P	41AC 4100							
1250 A / B6	3 P	41AC 3120							
	4 P	41AC 4120							
1600 A / B7	3 P	41AC 3160							
	4 P	41AC 4160							
2000 A / B8	3 P	41AC 3200							
	4 P	41AC 4200							
2500 A / B8	3 P	41AC 3250							
	4 P	41AC 4250							
3200 A / B8	3 P	41AC 3320							
	4 P	41AC 4320							
1000 A / B6	3 P	41AC 3100	C1 type Black 27997052	S4 type Black IP65 1443 3113	200 mm 1401 1520 320 mm 1401 1532 <sup>(1)</sup>	3 P 4109 3080 4 P 4109 4080	1 <sup>st</sup> /2 <sup>nd</sup> contact NO/NC 4109 0021 <sup>(2)</sup>	3 P 2694 3051 <sup>(3)(4)</sup> 4 P 2694 4051 <sup>(3)(4)</sup>	3 P 1509 3080 <sup>(5)</sup> 4 P 1509 4080 <sup>(5)</sup>
	4 P	41AC 4100							
1250 A / B6	3 P	41AC 3120							
	4 P	41AC 4120							
1600 A / B7	3 P	41AC 3160							
	4 P	41AC 4160							
2000 A / B8	3 P	41AC 3200							
	4 P	41AC 4200							
2500 A / B8	3 P	41AC 3250							
	4 P	41AC 4250							
3200 A / B8	3 P	41AC 3320							
	4 P	41AC 4320							
2500 A / B8	3 P	41AC 3250	S5 type Black 2799 7042	S5 type Black IP65 1453 8113	200 mm 2799 3015 320 mm 2799 3018 <sup>(1)</sup> 450 mm 2799 3019	(6)	1 <sup>st</sup> /2 <sup>nd</sup> contact NO/NC included		included
	4 P	41AC 4250							
3200 A / B8	3 P	41AC 3320							
	4 P	41AC 4320							

(1) Standard.

(2) 2 pieces: one for position I and one for position II.

(3) To fully shroud front, rear, top and bottom 4 references required.

(4) To shroud front switch top and bottom 2 references required.

(5) 2 pieces: one for top side and another for bottom side.

(6) See "Copper bar connection kits" page 20.

## Also available

### SIRCOVER AC I-I+II-II

From 125 to 1600 A, these manual transfer switches are used for switching from one normal source to a backup in open transition

conditions. However both sources must be synchronous.

Reference: 46AC XYYY

X = number of poles	Y = rating (A)	
3 : 3 poles	013 : 125	050 : 500
4 : 4 poles	016 : 160	063 : 630
	020 : 200	080 : 800
	025 : 250	100 : 1000
	031 : 315	120 : 1250
	040 : 400	160 : 1600

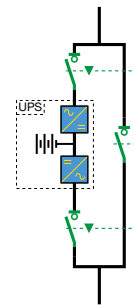
### SIRCOVER AC BY-PASS

From 125 up to 1600 A, these manual transfer switches enable the isolation and the bypassing of the backup source, using an uninterruptible power supply for instance, thanks to 3 compact interlocked switches in a single product.

Two bypass versions are available, one with open transition and the second one with overlapping contacts.

Reference: 4ZAC XYYY

Z = switching type	X = number of poles	Y = rating (A)	
1 : I - 0 - II	7 : 3 + 6 poles	013 : 125	050 : 500
6 : I - I+II - II	9 : 4 + 8 poles	016 : 160	063 : 630
		020 : 200	080 : 800
		025 : 250	100 : 1000
		031 : 315	120 : 1250
		040 : 400	160 : 1600



commut\_064\_a\_1\_x\_cat

# SIRCOVER

## Manual transfer switches

from 125 to 3200 A

### Accessories

#### Direct operation handle

SIRCOVER AC I-0-II and I-I+II-II				
Rating (A)	Frame size	Handle colour	Handle type	Reference
125 ... 630	B3 ... B5	Blue	J2 type	1122 <b>1111</b>
125 ... 630	B3 ... B5	Red	J2 type	1123 <b>1111</b>
800 ... 1600	B6 ... B7	Black	C1 type	2799 <b>7052</b>
2000 ... 3200	B8	Black	S5 type	2799 <b>7042</b> <sup>(1)</sup>

SIRCOVER AC BYPASS				
Rating (A)	Frame size	Handle colour	Handle type	Reference
125 ... 200	B3	Blue	J2 type	1122 <b>1111</b>
250 ... 630	B4 ... B5	Black	C1 type	2799 <b>7052</b>
800 ... 1600	B6 ... B7	Black	C2 type	2799 <b>7012</b> <sup>(1)</sup>



#### External operation handle

##### Use

Door interlocked external front operation handles include an escutcheon, are padlockable and must be utilised with an extension shaft.

SIRCOVER AC I-0-II and I-I+II-II					
Rating (A)	Frame size	Switching type	External IP <sup>(1)</sup>	Handle	Reference
125 ... 630	B3 ... B5	I - 0 - II	IP55	S2 type	1421 <b>2113</b>
125 ... 630	B3 ... B5	I - 0 - II	IP65	S2 type	1423 <b>2113</b>
125 ... 630	B3 ... B5	I - I+II - II	IP65	S2 type	1423 <b>2114</b>
800 ... 1600	B6 ... B7	I - 0 - II	IP65	S4 type	1443 <b>3113</b> <sup>(2)</sup>
800 ... 1600	B6 ... B7	I - I+II - II	IP65	S4 type	1443 <b>3114</b> <sup>(2)</sup>
2000 ... 3200	B8	I - 0 - II	IP65	S5 type	1453 <b>8113</b> <sup>(2)</sup>

(1) IP: protection degree according to IEC 60529 standard.

(2) Double lever handle.

SIRCOVER AC BYPASS					
Rating (A)	Frame size	Switching type	External IP <sup>(1)</sup>	Handle	Reference
125 ... 200	B3	I - 0 - II	IP55	S2 type	1421 <b>2113</b>
125 ... 200	B3	I - 0 - II	IP65	S2 type	1423 <b>2113</b>
250 ... 630	B4 ... B5	I - 0 - II	IP65	S3 type	1433 <b>3113</b>
800 ... 1600	B6 ... B7	I - 0 - II	IP65	V2 type	4199 <b>7146</b>

(1) IP: protection degree according to IEC 60529 standard.



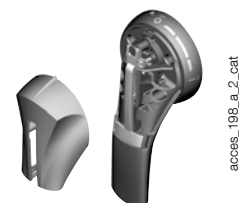
#### Alternative S type handle cover colours

##### Use

For single lever handles S1, S2, S3 type and for double lever handle S4 type.

Other colours: please consult us.

Colour	To be ordered in multiples of	Handle	Reference
Light grey	50	S2, S3 type	1401 <b>0001</b>
Dark grey	50	S2, S3 type	1401 <b>0011</b>
Light grey	50	S4 type	1401 <b>0031</b>
Dark grey	50	S4 type	1401 <b>0041</b>



#### S type handle adapter

##### Use

Enables S type handles to be fitted in place of existing older style SOCOMEC handles. Adapter can also be utilised as a spacer to increase the distance between the panel door and the handle lever.

##### Dimensions

Adds 12 mm to the depth.

Colour	To be ordered in multiples of	External IP <sup>(1)</sup>	Reference
Black	1	IP65	1493 <b>0000</b>

(1) IP: protection degree according to IEC 60529 standard.



## Shaft guide for external operation

### Use

To guide the shaft extension into the external handle.

This accessory enables the handle to engage the extension shaft with a misalignment of up to 15 mm.

Required for shaft lengths over 320 mm.

Description	Reference
Shaft guide	1429 0000



access\_260\_a\_2\_cat

## Shaft for external handle

### Use

Standard lengths:

- 200 mm,
- 320 mm,
- 450 mm.

Other lengths: please consult us.

SIRCOVER AC I-0-II and I-I-II-II				
Rating (A)	Frame size	Length (mm)	Dimension X (mm)	Reference
125 ... 400	B3 ... B4	200	210 ... 310	1400 1020
125 ... 400	B3 ... B4	320	210 ... 430	1400 1032
500 ... 630	B5	200	280 ... 390	1400 1020
500 ... 630	B5	320	280 ... 510	1400 1032
800 ... 1600	B6 ... B7	200	425 ... 577	1401 1520
800 ... 1600	B6 ... B7	320	425 ... 697	1401 1532
2000 ... 3200	B8	200	653 ... 803	2799 3015
2000 ... 3200	B8	320	653 ... 923	2799 3018
2000 ... 3200	B8	450	653 ... 1053	2799 3019

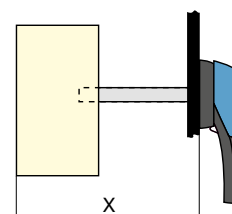


access\_369\_a\_1\_cat



access\_144\_b\_1\_cat

SIRCOVER AC BYPASS				
Rating (A)	Frame size	Length (mm)	Dimension X (mm)	Reference
125 ... 200	B3	200	320 ... 450	1400 1020
125 ... 200	B3	320	320 ... 570	1400 1032
250 ... 400	B4	200	298 ... 420	1401 1520
250 ... 400	B4	320	298 ... 540	1401 1532
500 ... 630	B5	200	417 ... 539	1401 1520
500 ... 630	B5	320	417 ... 659	1401 1532
800 ... 1600	B6 ... B7	200	550 ... 680	2799 3015
800 ... 1600	B6 ... B7	320	550 ... 800	2799 3018
800 ... 1600	B6 ... B7	450	550 ... 930	2799 3019



access\_202\_a\_1\_x\_cat

## Bridging bars

### Use

For creating a common connection between switches I & II, on the top or bottom side of the SIRCOVER, to enable, for example, the load to be fed from either incoming source (I or II).

For SIRCOVER Bypass, two sets of bridging bars are required (3/6 pole or 4/8 pole switch).

Rating (A)	Frame size	No. of poles	Section (mm)	Reference
125 ... 200	B3	3 P	20 x 2.5	4109 3019
125 ... 200	B3	4 P	20 x 2.5	4109 4019
250	B4	3 P	25 x 2.5	4109 3025
250	B4	4 P	25 x 2.5	4109 4025
315 ... 400	B4	3 P	32 x 5	4109 3039
315 ... 400	B4	4 P	32 x 5	4109 4039
500	B5	3 P	32 x 5	4109 3050
500	B5	4 P	32 x 5	4109 4050
630	B5	3 P	50 x 5	4109 3063
630	B5	4 P	50 x 5	4109 4063
800 ... 1000	B6	3 P	50 x 6	4109 3080
800 ... 1000	B6	4 P	50 x 6	4109 4080
1250	B6	3 P	60 x 8	4109 3120
1250	B6	4 P	60 x 8	4109 4120
1600	B7	3 P	90 x 10	4109 3160
1600	B7	4 P	90 x 10	4109 4160

### SIRCOVER AC I-0-II and SIRCOVER I-I-II-II

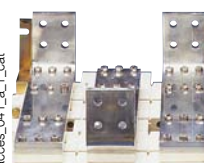


access\_205\_a\_2\_cat

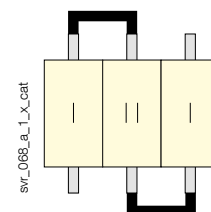
### SIRCOVER BYPASS



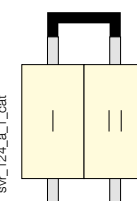
access\_208\_a\_2\_cat



access\_041\_a\_1\_cat



svr\_088\_a\_1\_x\_cat



svr\_124\_a\_1\_cat



# SIRCOVER

## Manual transfer switches

from 125 to 3200 A

### Accessories (continued)

#### Copper bar connection kits from 2000 to 3200 A - SIRCOVER

##### Use

Enables:

- connection between the two power terminals of the same pole for 2000 to 3200 A ratings (Fig. 1 and Fig 2)
- top or bottom bridging connection (Fig. 3).

For 3200 A rating, the connection pieces (part A) are delivered bridged from factory. Bolt sets must be ordered separately.

Further details for these specific accessories are available in the user guide downloadable from [www.socomec.com](http://www.socomec.com).

Fig. 1

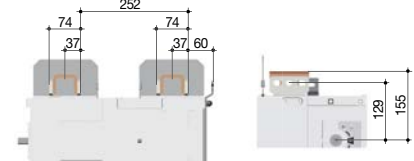


Fig. 2

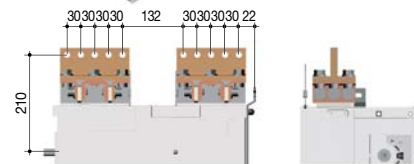
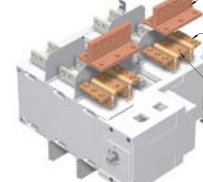
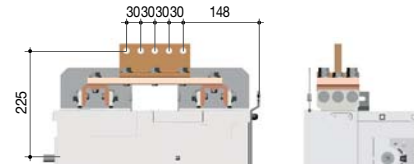
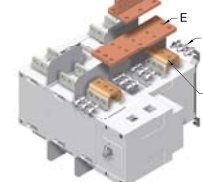


Fig. 3



access\_228\_b\_1\_x\_cat

access\_232\_a\_1\_cat

access\_228\_b\_1\_x\_cat

access\_233\_a\_1\_cat

access\_230\_b\_1\_x\_cat

access\_234\_a\_1\_cat

svr\_055\_a\_1\_cat

access\_065\_a\_1\_cat

##### Top or bottom flat connection - Fig. 1

Rating (A)	Frame size	Piece	Quantity to order per pole <sup>(1)</sup>	Reference
2000 ... 2500	B8	Connection - part A	2	2619 <b>1200</b>
2000 ... 2500	B8	Bolt set - part B	2	2699 <b>1200</b>
3200	B8	Connection - part A		included
3200	B8	Bolt set - part B	2	2699 <b>1200</b>

(1) Example for 3 pole device equipped upstream only: Order 3 times the indicated quantities.

##### Top or bottom edgewise connection - Fig. 2

Rating (A)	Frame size	Piece	Quantity to order per pole <sup>(1)</sup>	Reference
2000 ... 2500	B8	Connection - part A	2	2619 <b>1200</b>
2000 ... 2500	B8	T piece - part C	2	2629 <b>1200<sup>(2)</sup></b>
2000 ... 2500	B8	Bracket - part D	2	2639 <b>1200<sup>(2)</sup></b>
3200	B8	Connection - part A		included
3200	B8	T piece - part C	2	2629 <b>1200<sup>(2)</sup></b>
3200	B8	Bracket - part D	2	2639 <b>1200<sup>(2)</sup></b>

(1) Example for 3 pole device equipped upstream only: Order 3 times the indicated quantities.

(2) Bolt set is provided with the accessories.

##### Top or bottom bridging connection - Fig. 3

Rating (A)	Frame size	Piece	Quantity to order per pole <sup>(1)</sup>	Reference
2000 ... 2500	B8	Connection - part A	2	2619 <b>1200</b>
2000 ... 2500	B8	Bolt set - part B	2	2699 <b>1200</b>
2000 ... 2500	B8	Bar - part E	1	4109 <b>0320<sup>(2)</sup></b>
2000 ... 2500	B8	T piece - part C	1	2629 <b>1200<sup>(2)</sup></b>
3200	B8	Connection - part A		included
3200	B8	Bolt set - part B	2	2699 <b>1200</b>
3200	B8	Bar - part E	1	4109 <b>0320<sup>(2)</sup></b>
3200	B8	T piece - part C	1	2629 <b>1200<sup>(2)</sup></b>

(1) Example for 3 pole device equipped upstream only: Order 3 times the indicated quantities.

(2) Bolt set is provided with the accessories.

### Auxiliary contact

##### Use

Pre breaking and signalling of positions I and II: 1 or 2 NO/NC auxiliary contacts in each position.

Low level auxiliary contacts: please consult

US.

##### Connection to the control circuit

By 6.35 mm fast-on terminal.

##### Electrical characteristics

30 000 operations.



svr\_055\_a\_1\_cat

access\_065\_a\_1\_cat

##### Characteristics

Rating (A)	Frame size	Nominal current (A)	Operating current I <sub>o</sub> (A)			
			250 VAC AC-13	400 VAC AC-13	24 VDC DC-13	48 VDC DC-13
125 ... 3200	B3 ... B8	16	12	8	14	6

##### NO/NC changeover contact

Rating (A)	Frame size	Contact(s)	Reference
125 ... 1600	B3 ... B7	1 <sup>st</sup> /2 <sup>nd</sup>	4109 <b>0021</b>
2000 ... 3200	B8	1 <sup>st</sup> /2 <sup>nd</sup>	included

## Terminal shrouds

### Use

Protection against direct contact with terminals or connecting parts.

### Advantage

Perforations allow remote thermographic inspection without the need to remove the shrouds.

Rating (A)	Frame size	No. of poles	Position	Reference
125 ... 200	B3	3 P	top / bottom / front (I) / rear (II)	2694 <b>3014</b> <sup>(1)(2)</sup>
125 ... 200	B3	4 P	top / bottom / front (I) / rear (II)	2694 <b>4014</b> <sup>(1)(2)</sup>
250 ... 400	B4	3 P	top / bottom / front (I) / rear (II)	2694 <b>3021</b> <sup>(1)(2)</sup>
250 ... 400	B4	4 P	top / bottom / front (I) / rear (II)	2694 <b>4021</b> <sup>(1)(2)</sup>
500 ... 630	B5	3 P	top / bottom / front (I) / rear (II)	2694 <b>3051</b> <sup>(1)(2)</sup>
500 ... 630	B5	4 P	top / bottom / front (I) / rear (II)	2694 <b>4051</b> <sup>(1)(2)</sup>



access\_206\_a\_2\_cat

(1) To shroud front switch top and bottom 4 references required for a SIRCOVER and 6 references for a SIRCOVER Bypass.  
(2) To shroud front switch top and bottom 2 references required for a SIRCOVER and a SIRCOVER Bypass.

## Terminal screens

### Use

Top and bottom protection against direct contact with terminals or connection parts.

Rating (A)	Frame size	No. of poles	Position	Reference
125 ... 200	B3	3 P	top / bottom	1509 <b>3012</b>
125 ... 200	B3	4 P	top / bottom	1509 <b>4012</b>
250 ... 400	B4	3 P	top / bottom	1509 <b>3025</b>
250 ... 400	B4	4 P	top / bottom	1509 <b>4025</b>
500 ... 630	B5	3 P	top / bottom	1509 <b>3063</b>
500 ... 630	B5	4 P	top / bottom	1509 <b>4063</b>
800 ... 1250	B6	3 P	top / bottom	1509 <b>3080</b>
800 ... 1250	B6	4 P	top / bottom	1509 <b>4080</b>
1600	B7	3 P	top / bottom	1509 <b>3160</b>
1600	B7	4 P	top / bottom	1509 <b>4160</b>
2000 ... 3200	B8	3 / 4 P	top / bottom	included



access\_207\_a\_2\_cat

## Inter-phase barrier

### Use

Safety isolation between the terminals, essential for use at 690 VAC or in a polluted or dusty atmosphere.

Rating (A)	Frame size	No. of poles	Reference
125 ... 200	B3	2 P	2998 <b>0033</b>
125 ... 200	B3	3 P	2998 <b>0034</b>
250 ... 400	B4	2 P	2998 <b>0023</b>
250 ... 400	B4	3 P	2998 <b>0024</b>
500 ... 630	B5	2 P	2998 <b>0013</b>
500 ... 630	B5	3 P	2998 <b>0014</b>
800 ... 3200	B6 ... B8	2/3 P	included



### Accessories (continued)

#### Key handle interlocking system

Padlocking in position I, 0 or II				
SIRCOVER Rating (A) / Frame size	SIRCOVER Bypass Rating (A) / Frame size	Operation	Figure	Reference
125 ... 630 / B3 ... B5	125 ... 200 / B3	external	1	1423 <b>2813</b>

Locking using RONIS EL11AP lock in position 0 (not included)				
SIRCOVER Rating (A) / Frame size	SIRCOVER Bypass Rating (A) / Frame size	Operation	Figure	Reference
125 ... 630 / B3 ... B5	125 ... 200 / B3	direct	2	4109 <b>1006</b> <sup>(1)</sup>
	250 ... 630 / B4 ... B5	direct	3	please consult us
800 ... 1600 / B6 ... B7	800 ... 1600 / B6 ... B7	direct	3	4109 <b>1004</b> <sup>(2)</sup>
2000 ... 3200 / B8		direct	3	4109 <b>2007</b> <sup>(2)</sup>
125 ... 630 / B3 ... B5	125 ... 630 / B3 ... B5	external	4	1499 <b>7701</b> <sup>(2)</sup>
2000 ... 3200 / B8	800 ... 1600 / B6 ... B7	external	4	2799 <b>7002</b> <sup>(2)</sup>

(1) Specific handle included.

(2) This locking facility can be configured by the user in the 3 positions.

Locking using RONIS EL11AP lock in position I, 0, II (not included)				
SIRCOVER Rating (A) / Frame size	SIRCOVER Bypass Rating (A) / Frame size	Operation	Figure	Reference
125 ... 630 / B3 ... B5	125 ... 200 / B3	direct	2	4109 <b>1002</b> <sup>(1)</sup>
	250 ... 630 / B4 ... B5	direct	3	please consult us
800 ... 1600 / B6 ... B7	800 ... 1600 / B6 ... B7	direct	3	4109 <b>1004</b> <sup>(2)</sup>
2000 ... 3200 / B8		direct	3	4109 <b>2007</b> <sup>(2)</sup>
125 ... 630 / B3 ... B5	125 ... 630 / B3 ... B5	external	4	1499 <b>7701</b> <sup>(2)</sup>
2000 ... 3200	800 ... 1600 / B6 ... B7	external	4	2799 <b>7002</b> <sup>(2)</sup>

(1) Specific handle included.

(2) This locking facility can be configured by the user in the 3 positions.

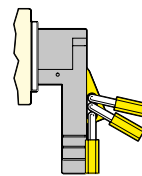
Locking using 230 VAC undervoltage coil in position (factory fitted)				
SIRCOVER Rating (A) / Frame size	SIRCOVER Bypass Rating (A) / Frame size	Operation	Figure	Reference
800 ... 3200 / B6 ... B8	800 ... 1600 / B6 ... B7	direct	3	please consult us

Locking using K-type CASTELL lock (not supplied)				
Rating (A) SIRCOVER Frame size	SIRCOVER Bypass Rating (A) / Frame size	Operation	Figure	Reference
125 ... 1600 / B3 ... B7	125 ... 630 / B3 ... B5	external	4	1499 <b>7702</b>
2000 ... 3200 / B8	800 ... 1600 / B6 ... B7	external	4	2799 <b>7003</b>

#### Use

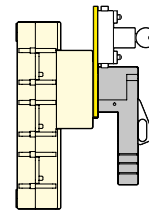
- Using padlock (not supplied). This device is factory mounted in the direct or external operation handle and allows the use of up to 3 padlocks.
- Locking:
  - using lock (not supplied)
  - using undervoltage coil.
- The interlocking positions are either determined as standard or configured by the user by removing the pre-formed tabs.
- Padlocking and locking can be combined.

Fig. 1



access\_061\_a\_1\_x\_cat

Fig. 2



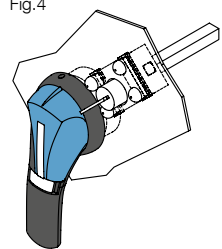
access\_001\_la\_1\_x\_cat

Fig. 3



access\_132\_a\_1\_x\_cat

Fig. 4



access\_189\_a\_1\_x\_cat

#### Other specific accessories



bd\_03\_04\_01

- Customised protection screens (for specific dimensions or high ambient temperatures).
- Connection accessories.
- Low level auxiliary contacts.

## Enclosed transfer switch solutions

### General characteristics

- Adapted to mechanical risk and dust hazard.
- Operation handle: S-type black handle padlockable in position 0.
- Protection degree: IP54
- Colour: RAL 7035 up to 630 A, above RAL 7035 and RAL 9001 for casing and door.
- Cable gland plate: top and bottom
- Material: XC steel, thickness 1.5 mm.
- Coating: epoxy polyester powder (ratings < 630 A), polyester powder (ratings ≥ 630 A)
- Wall mounting: 4 fixing lugs supplied loose.
- Door: solid with hinges.
- Door lock: 3 mm double bar key (ratings < 630 A), 8 mm square key (ratings ≥ 630 A), key supplied.
- Miscellaneous: 2 earth connection points, double door locking.

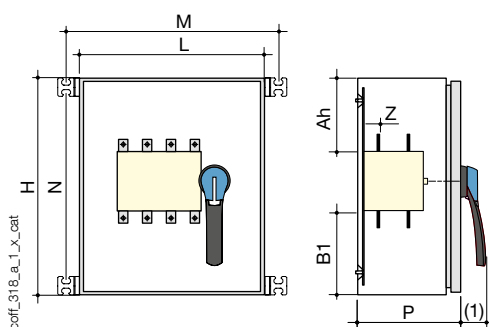
### References

Rating (A)	Number of poles	Top/Bottom connection I - 0 - II Reference
125	3 P	4212 3012
125	4 P	4212 4012
160	3 P	4212 3016
160	4 P	4212 4016
250	3 P	4212 3025
250	4 P	4212 4025
400	3 P	4212 3040
400	4 P	4212 4040
500	3 P	4212 3050
500	4 P	4212 4050
630	3 P	4212 3063
630	4 P	4212 4063
800	3 P	4212 3080
800	4 P	4212 4080
1250	3 P	4212 3120
1250	4 P	4212 4120
1600	3 P	4212 3160
1600	4 P	4212 4160



conf\_2395\_b

### Dimensions



(1) 125 ... 630 A: 58 mm  
800 ... 1600 A: 74 mm.

Rating (A)	No. of poles	H x W x D (mm)	Max. connection cross-section (mm <sup>2</sup> )	M (mm)	N (mm)	Z (mm)	Top/Bottom connection		
							Ah (mm)	B1 (mm)	Weight (kg)
125	3/4 P	500 x 400 x 250	50	448	458	28	190	190	23
160	3/4 P	500 x 400 x 250	95	448	458	28	190	190	23
250	3/4 P	500 x 400 x 250	150	448	458	29,3	185	185	23
400	3/4 P	800 x 600 x 300	240	758	552	29,3	330	330	45
500	3/4 P	800 x 600 x 300	240	648	658	45	298	298	55
630	3/4 P	800 x 600 x 300	2 x 300	648	658	45	290	290	55
800	3/4 P	1200 x 700 x 500	2 x 300	740	1152	24	465	465	78
1 250	3/4 P	1200 x 700 x 500	4 x 185	740	1152	24	465	465	88
1 600	3/4 P	1200 x 700 x 500	4 x 300	740	1152		470	470	94

## SIRCOVER AC - Characteristics according to IEC 60947-3 and IEC 60947-6-1

### 125 to 630 A / B3 to B5

Thermal current $I_{th}$ at 40°C	125 A	160 A	200 A	250 A	315A	400 A	500 A	630 A
Frame size	B3	B3	B3	B4	B4	B4	B5	B5
Rated insulation voltage $U_i$ (V)	800	800	800	1000	1000	1000	1000	1000
Rated impulse withstand voltage $U_{imp}$ (kV)	8	8	8	12	12	12	12	12

#### Rated operational currents $I_e$ (A) according to IEC 60947-6-1

Rated voltage	Utilisation category	A/B <sup>(1)</sup>	A/B <sup>(1)</sup>	A/B <sup>(1)</sup>	A/B <sup>(1)</sup>	A/B <sup>(1)</sup>	A/B <sup>(1)</sup>	A/B <sup>(1)</sup>	A/B <sup>(1)</sup>
415 VAC	AC-31 A / AC-31 B	125	160	200	250	315	400	500	630
415 VAC	AC-32 A / AC-32 B				200	315	400	500	500
415 VAC	AC-33 A / AC-33 B				200	200	200	400	400

#### Rated operational currents $I_e$ (A) according to IEC 60947-3

Rated voltage	Utilisation category	A/B <sup>(1)</sup>	A/B <sup>(1)</sup>	A/B <sup>(1)</sup>	A/B <sup>(1)</sup>	A/B <sup>(1)</sup>	A/B <sup>(1)</sup>	A/B <sup>(1)</sup>	A/B <sup>(1)</sup>
415 VAC	AC-20 A / AC-20 B	125/125	160/160	200/200	250/250	315/315	400/400	500/500	630/630
415 VAC	AC-21 A / AC-21 B	125/125	160/160	200/200	250/250	315/315	400/400	500/500	630/630
415 VAC	AC-22 A / AC-22 B	125/125	160/160	200/200	250/250	315/315	400/400	500/500	630/630
415 VAC	AC-23 A / AC-23 B	125/125	160/160	200/200	200/200	315/315	400/400	500/500	630/630
500 VAC	AC-20 A / AC-20 B	125/125	160/160	200/200	250/250	315/315	400/400	500/500	630/630
500 VAC	AC-21 A / AC-21 B	125/125	160/160	200/200	250/250	315/315	400/400	500/500	630/630
500 VAC	AC-22 A / AC-22 B	125/125	160/160	200/200	200/250	200/315	200/400	500/500	500/500
500 VAC	AC-23 A / AC-23 B	80/80	80/80	80/80	200/200	200/200	200/200	400/400	400/400
690 VAC <sup>(7)</sup>	AC-20 A / AC-20 B	125/125	160/160	200/200	250/250	315/315	400/400	500/500	630/630
690 VAC <sup>(7)</sup>	AC-21 A / AC-21 B	125/125	160/160	200/200	200/200	200/200	200/200	500/500	500/500
690 VAC <sup>(7)</sup>	AC-22 A / AC-22 B	125/125	125/125	125/125	160/160	160/160	160/160	400/400	400/400
690 VAC <sup>(7)</sup>	AC-23 A / AC-23 B	63/80	63/80	63/80	125/125	125/125	125/125	400/400	400/400
220 VDC	DC-20 A / DC-20 B	125/125	160/160	200/200	250/250	315/315	400/400	500/500	630/630
220 VDC	DC-21 A / DC-21 B	125/125	160/160	200/200	250/250	250/250	250/250	500/500	630/630
220 VDC	DC-22 A / DC-22 B	125/125	160/160	200/200	250/250	250/250	250/250	500/500	630/630
220 VDC	DC-23 A / DC-23 B	125/125	125/125	125/125	200/200	200/200	200/200	500/500	630/630
440 VDC	DC-20 A / DC-20 B	125/125	160/160	200/200	250/250	315/315	400/400	500/500	630/630
440 VDC	DC-21 A / DC-21 B	125 <sup>(2)</sup> /125 <sup>(2)</sup>	125 <sup>(2)</sup> /125 <sup>(2)</sup>	125 <sup>(2)</sup> /125 <sup>(2)</sup>	200 <sup>(2)</sup> /200 <sup>(2)</sup>	200 <sup>(2)</sup> /200 <sup>(2)</sup>	200 <sup>(2)</sup> /200 <sup>(2)</sup>	500 <sup>(2)</sup> /500 <sup>(2)</sup>	630 <sup>(2)</sup> /630 <sup>(2)</sup>
440 VDC	DC-22 A / DC-22 B	125 <sup>(2)</sup> /125 <sup>(2)</sup>	125 <sup>(2)</sup> /125 <sup>(2)</sup>	125 <sup>(2)</sup> /125 <sup>(2)</sup>	200 <sup>(2)</sup> /200 <sup>(2)</sup>	200 <sup>(2)</sup> /200 <sup>(2)</sup>	200 <sup>(2)</sup> /200 <sup>(2)</sup>	500 <sup>(2)</sup> /500 <sup>(2)</sup>	630 <sup>(2)</sup> /630 <sup>(2)</sup>
440 VDC	DC-23 A / DC-23 B	125 <sup>(3)</sup> /125 <sup>(3)</sup>	125 <sup>(3)</sup> /125 <sup>(3)</sup>	125 <sup>(3)</sup> /125 <sup>(3)</sup>	200 <sup>(3)</sup> /200 <sup>(3)</sup>	200 <sup>(3)</sup> /200 <sup>(3)</sup>	200 <sup>(3)</sup> /200 <sup>(3)</sup>	500 <sup>(3)</sup> /500 <sup>(3)</sup>	500 <sup>(3)</sup> /500 <sup>(3)</sup>

#### Operational power in AC-23 (kW)

At 400 VAC without pre-break in AC <sup>(3)</sup>	63/63	80/80	80/80	132/132	132/132	280/280	280/280	450/450
At 690 VAC without pre-break in AC <sup>(3)</sup>	55/75	55/75	55/75	90/110	90/110	150/185	150/185	185/220

#### Reactive power (kvar)

At 415 VAC	55	75	90	115	145	185	230	290
------------	----	----	----	-----	-----	-----	-----	-----

#### Fuse protected short-circuit withstand as per IEC 60947-3 at 690 VAC

Prospective short-circuit current (kA rms)	100 <sup>(5)</sup>	100 <sup>(5)</sup>	50 <sup>(5)</sup>	50	50	50	50	50
Associated fuse rating (A)	125	160	200	250	315	400	500	630

#### Circuit breaker protected short-circuit withstand with any circuit breaker that ensures tripping in less than 0.3s<sup>(4)</sup>

Rated short-time withstand current 0.3s $I_{cw}$ (kA rms)	12 <sup>(5)</sup>	12 <sup>(5)</sup>	12 <sup>(5)</sup>	15	15	15	17	17
---	-------------------	-------------------	-------------------	----	----	----	----	----

#### Short-circuit withstand without protection as per IEC 60947-3 at 690 VAC

Rated short-time withstand current 1s $I_{cw}$ (kA rms)	7 <sup>(5)</sup>	7 <sup>(5)</sup>	7 <sup>(5)</sup>	8	8	8	10	10
Rated peak withstand current (kA peak)	20	20	20	30	30	30	45	45
Rated short-time withstand current 60ms $I_{cw}$ (kA rms) as per IEC 60947-6-1 at 415 VAC				10 <sup>(6)</sup>	10 <sup>(6)</sup>	10 <sup>(6)</sup>	10	12.6

#### Connection

Minimum Cu cable cross-section (mm <sup>2</sup> )	35	50	70	95	150	185	240	2 x 150
Minimum Cu busbar cross-section (mm <sup>2</sup> )								2 x 30 x 5
Maximum Cu cable cross-section (mm <sup>2</sup> )	50	95	120	150	240	240	2 x 185	2 x 300
Maximum Cu busbar width (mm)	25	25	25	32	32	32	50	50
Tightening torque mini / maxi (Nm)	9/13	9/13	9/13	20/26	20/26	20/26	20/26	20/26

#### Mechanical characteristics

Durability (number of operating cycles)	10 000	10 000	10 000	8 000	8 000	5 000	5 000	5 000
Weight of 3 P switch (kg)	2.9	2.9	2.9	3.8	3.9	3.9	8.6	9.1
Weight of 4 P switch (kg)	4.1	4.1	4.1	4.6	4.9	4.9	10.4	11.1

(1) Category with index A = frequent operation -  
Category with index B = infrequent operation.

(2) 3-pole device with 2 pole in series for the "+" and 1 pole for the "-".  
4-pole device with 2 poles in series by polarity.

(3) The power value is given for information only, the current values vary from one manufacturer to another.

(6) Value for coordination with any circuit-breaker that ensures tripping in less than 0.3s. For coordination with specific circuit-breaker references, higher short-circuit current values are available. Please consult us.

(5) Data at 415 VAC

(6) Data at 30ms

(7) With terminal shrouds or phase barrier.

800 to 3200 A / B6 to B8

Thermal current $I_{th}$ at 40°C	800 A	1000 A	1250 A	1600 A	2000 A	2500 A	3200 A
Frame size	B6	B6	B6	B7	B8	B8	B8
Rated insulation voltage $U_i$ (V)	1000	1000	1000	1000	1000	1000	1000
Rated impulse withstand voltage $U_{imp}$ (kV)	12	12	12	12	12	12	12

Rated operational currents  $I_e$  (A) according to IEC 60947-6-1

Rated voltage	Utilisation category	A/B <sup>(1)</sup>	A/B <sup>(1)</sup>	A/B <sup>(1)</sup>	A/B <sup>(1)</sup>	A/B <sup>(1)</sup>	A/B <sup>(1)</sup>	A/B <sup>(1)</sup>
415 VAC	AC-31 A / AC-31 B	800	1000	1250	1600	2000	2500	3200
415 VAC	AC-32 A / AC-32 B	800	1000	1250	1600	2000	2000	2000
415 VAC	AC-33 A / AC-33 B	800	800	800	1000	1250	1250	1250

Rated operational currents  $I_e$  (A) according to IEC 60947-3

Rated voltage	Utilisation category	A/B <sup>(1)</sup>	A/B <sup>(1)</sup>	A/B <sup>(1)</sup>	A/B <sup>(1)</sup>	A/B <sup>(1)</sup>	A/B <sup>(1)</sup>	A/B <sup>(1)</sup>
415 VAC	AC-20 A / AC-20 B	800/800	1000/1000	1250/1250	1600/1600	2000/2000	2500/2500	3200/3200
415 VAC	AC-21 A / AC-21 B	800/800	1000/1000	1250/1250	1600/1600	-/2000	-/2500	-/3200
415 VAC	AC-22 A / AC-22 B	800/800	1000/1000	1250/1250	1600/1600	-/2000	-/2500	-/3200
415 VAC	AC-23 A / AC-23 B	800/800	1000/1000	1250/1250	1250/1250	-/1600	-/1600	-/1600
500 VAC	AC-20 A / AC-20 B	800/800	1000/1000	1250/1250	1600/1600	2000/2000	2500/2500	3200/3200
500 VAC	AC-21 A / AC-21 B	800/800	1000/1000	1250/1250	1600/1600	-/2000	-/2500	-/3200
500 VAC	AC-22 A / AC-22 B	630/630	800/800	1000/1000	1600/1600			
500 VAC	AC-23 A / AC-23 B	400/400	630/630	800/800	1000/1000			
690 VAC <sup>(6)</sup>	AC-20 A / AC-20 B	800/800	1000/1000	1250/1250	1600/1600	2000/2000	2500/2500	3200/3200
690 VAC <sup>(6)</sup>	AC-21 A / AC-21 B	800/800	1000/1000	1250/1250	1600/1600	-/2000	-/2500	-/3200
690 VAC <sup>(6)</sup>	AC-22 A / AC-22 B	630/630	800/800	1000/1000	1000/1000			
690 VAC <sup>(6)</sup>	AC-23 A / AC-23 B	400/400	630/630	800/800	800/800			
220 VDC	DC-20 A / DC-20 B	800/800	1000/1000	1250/1250	1600/1600			
220 VDC	DC-21 A / DC-21 B	800/800	1000/1000	1250/1250	1250/1250			
220 VDC	DC-22 A / DC-22 B	800/800	1000/1000	1250/1250	1250/1250			
220 VDC	DC-23 A / DC-23 B	800/800	1000/1000	1250/1250	1250/1250			
440 VDC	DC-20 A / DC-20 B	800/800	1000/1000	1250/1250	1600/1600			
440 VDC	DC-21 A / DC-21 B	800 <sup>(3)</sup> /800 <sup>(3)</sup>	1000 <sup>(3)</sup> /1000 <sup>(3)</sup>	1250 <sup>(3)</sup> /1250 <sup>(3)</sup>	1250/1250			
440 VDC	DC-22 A / DC-22 B	800 <sup>(3)</sup> /800 <sup>(3)</sup>	1000 <sup>(3)</sup> /1000 <sup>(3)</sup>	1250 <sup>(3)</sup> /1250 <sup>(3)</sup>	1250/1250			
440 VDC	DC-23 A / DC-23 B	800 <sup>(3)</sup> /800 <sup>(3)</sup>	1000 <sup>(3)</sup> /1000 <sup>(3)</sup>	1250 <sup>(3)</sup> /1250 <sup>(3)</sup>	1250/1250			

Operational power in AC-23 (kW)

At 400 VAC without pre-break in AC <sup>(3)</sup>	710/710	710/710	710/710	710/710	710/710			
At 690 VAC without pre-break in AC <sup>(3)</sup>	185/220	475/475	475/475	750/750	750/750			

Reactive power (kvar)

At 400 VAC <sup>(5)</sup>	365	460	575					
---------------------------	-----	-----	-----	--	--	--	--	--

Fuse protected short-circuit withstand as per IEC 60947-3 at 415 VAC

Prospective short-circuit current (kA rms)	50	100	100	100				
Associated fuse rating (A)	800	1000	1250	2 x 800				

Circuit breaker protected short-circuit withstand with any circuit breaker that ensures tripping in less than 0.3s<sup>(4)</sup>

Rated short-time withstand current 0.3s $I_{cw}$ (kA rms)	47	64	64	78	78	78	78	
---	----	----	----	----	----	----	----	--

Short-circuit withstand without protection as per IEC 60947-3 at 415 VAC

Rated short-time withstand current 1s $I_{sw}$ (kA rms)	26	35	35	50	50	50	50	
Rated peak withstand current (kA peak)	55	55	80	110	110	110	120	
Rated short-time withstand current 60ms $I_{sw}$ (kA rms) as per IEC 60947-6-1 at 415 VAC	16	20	25	32	40	50	50	

Connection

Minimum Cu cable cross-section (mm <sup>2</sup> )	2 x 185	2 x 240						
Minimum Cu busbar cross-section (mm <sup>2</sup> )	2 x 40 x 5	2 x 50 x 5	2 x 60 x 5	2 x 80 x 5	2 x 100 x 10	2 x 100 x 10	2 x 100 x 10	
Maximum Cu cable cross-section (mm <sup>2</sup> )	2 x 300	4 x 185	4 x 185	6 x 185				
Maximum Cu busbar width (mm)	63	63	63	100	100	100	100	
Tightening torque min (Nm)	20/26	20/26	20/26	40/45	40/45	40/45	40/45	

Mechanical characteristics

Durability (number of operating cycles)	4 000	4 000	4 000	3 000	3 000	3 000	3 000	
Weight of a 3 pole device (kg)	20.5	21.0	21.6	25.7	42.0	42.0	52.3	
Weight of a 4 pole device (kg)	24.8	25.6	26.2	32.0	52.9	52.9	66.6	

(1) Category with index A = frequent operation -

Category with index B = infrequent operation.

(2) 3-pole device with 2 pole in series for the "+" and 1 pole for the "-".

4-pole device with 2 poles in series by polarity.

(3) The power value is given for information only, the current values vary from one manufacturer to another.

(6) Value for coordination with any circuit-breaker that ensures tripping in less than 0.3s. For coordination with specific circuit-breaker references, higher short-circuit current values are available. Please consult us.

(5) Data at 415 VAC.

(6) With terminal shrouds or phase barrier.

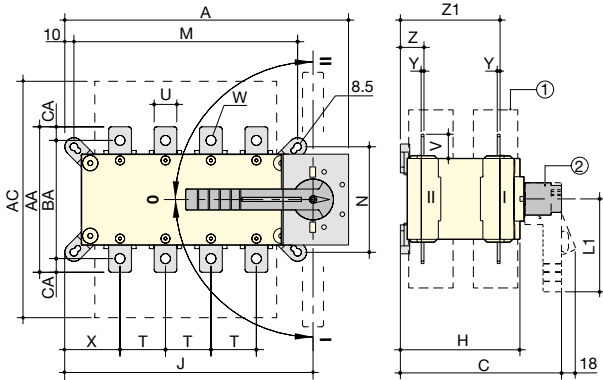
# SIRCOVER

Manual transfer switches  
from 125 to 3200 A

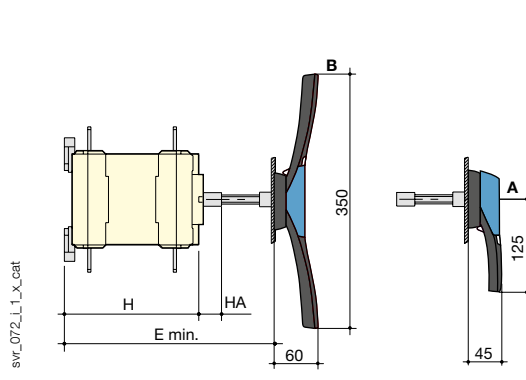
## Dimensions

### 125 to 1600 A / B3 to B7

#### Direct front operation



#### External front operation



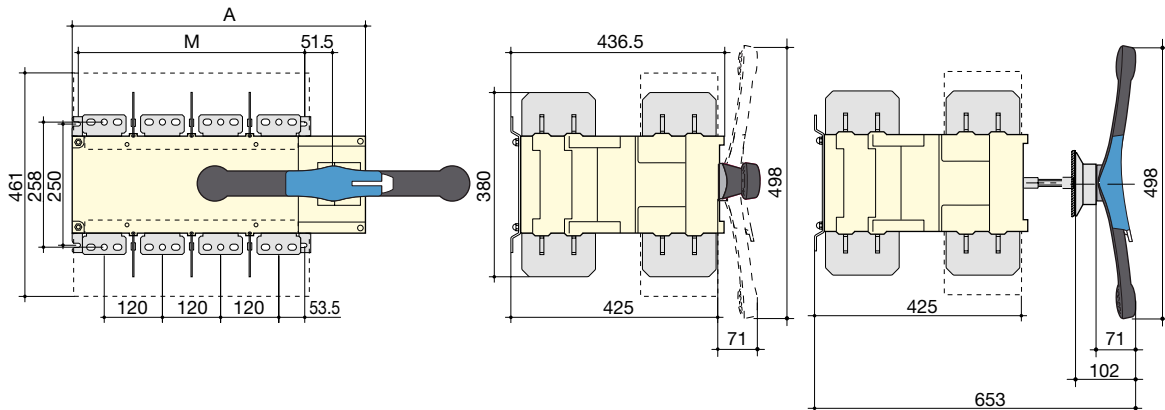
A. S2 type handle for external operation: 125 to 630 A  
B. S4 type handle for external operation: 800 to 1600 A

1. Terminal shrouds
2. Direct handle operation:
  - 125 to 630 A: L1 = 140 mm,
  - 800 to 1600 A: L1 = 210 mm.

Rating (A)/ Frame size	Overall dimensions				Terminal shrouds	Switch body				Switch mounting				Connection										
	A 3p.	A 4p.	C	E min		AC	H	HA	J 3p.	J 4p.	M 3p.	M 4p.	N	T	U	V	W	X 3p.	X 4p.	Y	Z	Z1	AA	BA
125 / B3	221	251	218	208 ... 436	235	148	25	182	212	156	186	101	36	20	25	8.5	56	50	3.5	28	124	135	115	10
160 / B3	221	251	218	208 ... 436	235	148	25	182	212	156	186	101	36	20	25	8.5	56	50	3.5	28	124	135	115	10
200 / B3	221	251	218	208 ... 436	235	148	25	182	212	156	186	101	36	20	25	8.5	56	50	3.5	28	124	135	115	10
250 / B4	262	312	218	208 ... 436	280	148	25	223	273	196	246	116	50	25	30	11	61	61	3.5	30	124	160	130	15
315 / B4	262	312	218	208 ... 436	280	148	25	223	273	196	246	116	50	35	35	11	61	61	3.5	30	124	170	140	15
400 / B4	262	312	218	208 ... 436	280	148	25	223	273	196	246	116	50	35	35	11	61	61	3.5	30	124	170	140	15
500 / B5	319	379	295	285 ... 513	401	225	25	272	332	246	306	176	65	32	37	13	70.5	65.5	5	43	180	235	205	15
630 / B5	319	379	295	285 ... 513	400	225	25	272	332	246	306	176	65	45	50	13	70.5	65.5	5	43	180	260	220	20
800 / B6	386	466	375	425 ... 577	459	298	29	306.5	386.5	255	336	250	80	50	60.5	15	48	48	7	66.5	253.5	321		26.5
1000 / B6	386	466	375	425 ... 577	459	298	29	306.5	386.5	255	336	250	80	50	60.5	15	48	48	7	66.5	253.5	321		26.5
1250 / B6	386	466	375	425 ... 577	459	298	29	306.5	386.5	255	336	250	80	60	65	16x11	48	48	7	66.5	255.5	330		29.5
1600 / B7	478	598	375	425 ... 577	461	298	29	388.5	518.5	347	467	250	120	90	43.5	12.5x5	54	54	8	66.5	255.5	288		15

### SIRCOVER 2000 à 3200 A / B8

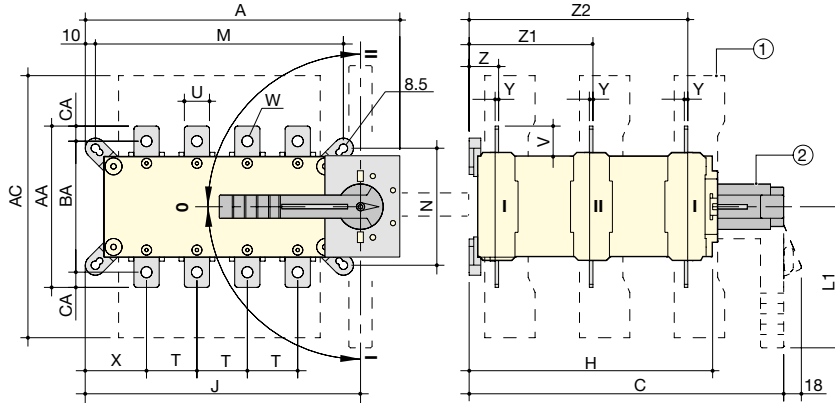
#### Direct front operation



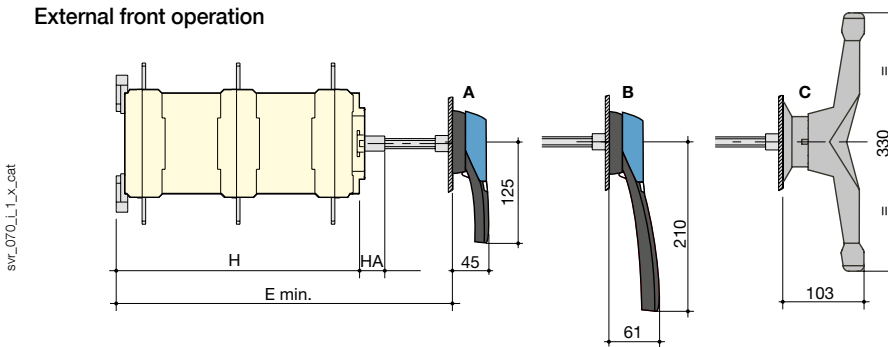
Rating (A) / Frame size	Overall dimensions		Switch mounting	
	A 3p.	A 4p.	M 3p.	M 4p.
2000 ... 3200 / B8	478	598	347	467

SIRCOVER Bypass 125 to 1600 A / B3 to B7

Direct front operation



External front operation



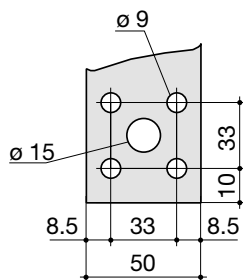
- A. S2 type handle for external operation: 125 to 200 A
- B. S3 type handle for external operation: 250 to 630 A
- C. External double lever handle: 800 to 1600 A

- 1. Terminal shrouds
- 2. Direct handle operation:
  - 125 to 200 A: L1 = 140 mm,
  - 250 to 630 A: L1 = 210 mm,
  - 800 to 1600 A: L1 = Ø 330 mm.

Rating (A) / Frame size	Overall dimensions				Terminal shrouds	Switch body			Switch mounting				Connection												
	A 3+6p.	A 4+8p.	C	E min.	AC	H	HA	J 3+6 p.	J 4+8 p.	M 3+6 p.	M 4+8 p.	N	T	U	V	W	X 3+6p.	X 4+8p.	Y	Z	Z1	Z1	AA	BA	CA
125 / B3	221	251	313	320	235	243	25	182	212	156	186	101	36	20	25	8.5	56	50	3.5	28	124	219	135	115	10
160 / B3	221	251	313	320	235	243	25	182	212	156	186	101	36	20	25	8.5	56	50	3.5	28	124	219	135	115	10
200 / B3	221	251	313	320	235	243	25	182	212	156	186	101	36	20	25	8.5	56	50	3.5	28	124	219	135	115	10
250 / B4	262	312	313	298	280	243	25	223	273	196	246	116	50	25	30	11	61	61	3.5	30	124	219	160	130	10
400 / B4	262	312	313	298	280	243	25	223	273	196	246	116	50	35	35	11	61	61	3.5	30	124	219	170	140	15
500 / B5	319	379	432	417	401	362	25	272	332	246	306	176	65	32	37	13	70.5	65.5	5	43	180	317	235	205	15
630 / B5	319	379	432	417	400	362	25	272	332	246	306	176	65	45	50	13	70.5	65.5	5	43	180	317	260	220	20
800 / B6	386	466	560	550	459	479	29	306.5	386.5	255	335	250	80	50	60.5	15	48	48	7	66.5	253.5	439.5	321		26.5
1250 / B6	386	466	560	550	459	479	29	306.5	386.5	255	335	250	80	60	65	16x11	48	48	7	66.5	253.5	439.5	320		29.25
1600 / B7	478	598	560	550	461	479	29	388.5	518.5	347	467	250	120	90	43.5	12.5x5	54	54	8	66.5	253.5	439.5	288		15

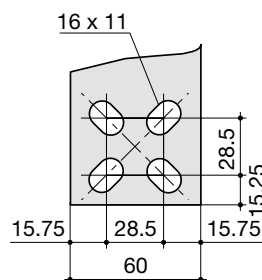
Connection terminals

SIRCOVER and SIRCOVER Bypass 800 A / B6



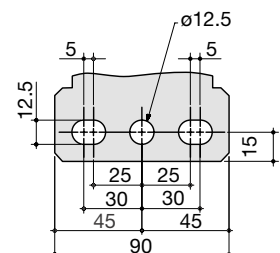
svr\_077\_a\_1\_x\_cat

SIRCOVER and SIRCOVER Bypass 1250 A / B6



svr\_078\_b\_1\_x\_cat

SIRCOVER 1600 to 3200 A / B7 to B8 SIRCOVER Bypass 1600 A / B7



svr\_088\_a\_1\_x\_cat

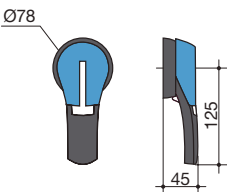
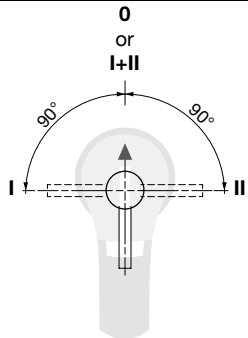
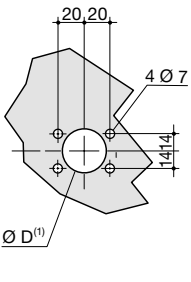
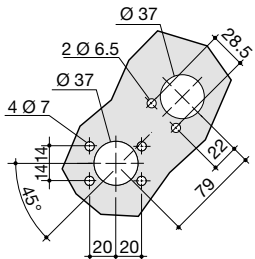


# SIRCOVER

Manual transfer switches  
from 125 to 3200 A

## Dimensions for external handles

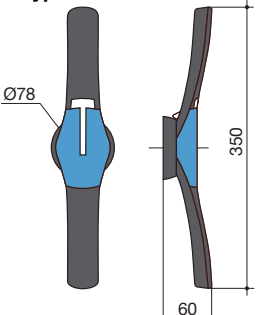
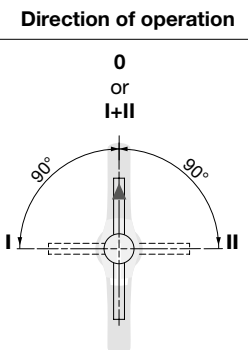
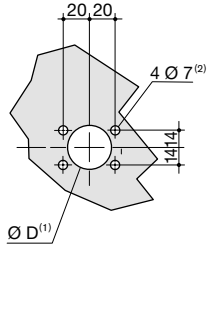
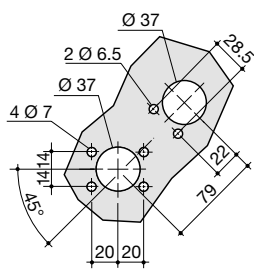
### SIRCOVER 125 to 630 A / B3 to B5

Handle type	Direction of operation	Front operation	
		Door drilling	
<b>S2 type</b> 			

(1) Ø31 to Ø37: Rear screw mounting Ø37: front clip mounting.

poign\_030\_a\_1\_gb\_cat

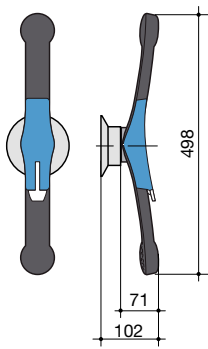
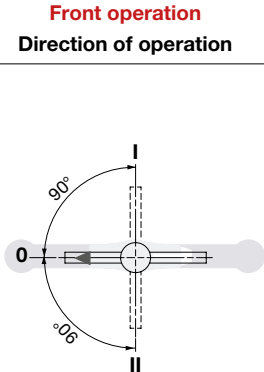
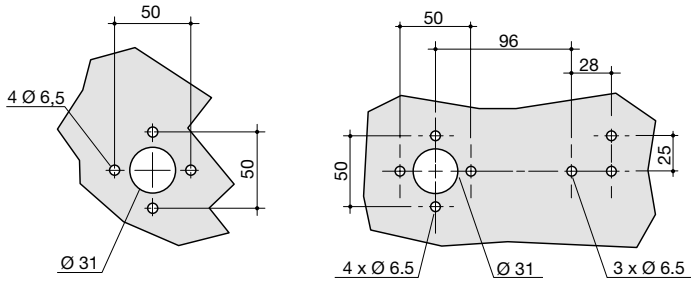
### SIRCOVER 800 to 1600 A / B6 to B7

Handle type	Direction of operation	Front operation	
		Door drilling	
<b>S4 type</b> 			

(1) Ø31 to Ø37: Rear screw mounting Ø37: front clip mounting.  
(2) Ø6 to Ø7: clip mounting.

poign\_031\_a\_1\_gb\_cat

### SIRCOVER 2000 to 3200 A / B8

Handle type	Direction of operation	Front operation	
		Door drilling	
<b>S5 type</b> with V Escutcheon 			

poign\_023\_a\_1\_gb\_cat

SIRCOVER Bypass 125 to 200 A / B3

Handle type	Front operation Direction of operation	Door drilling	
<b>S2 type</b>			<div style="display: flex; justify-content: space-around;"> <div> <p>With lock RONIS EL11AP</p> </div> <div> <p>With lock CASTELL K</p> </div> </div>

(1) Ø31 to Ø37: Rear screw mounting Ø37: front clip mounting.

poign\_032\_a\_1\_gb\_cat

SIRCOVER Bypass 250 to 630 A / B4 to B5

Handle type	Front operation Direction of operation	Door drilling	
<b>S3 type</b>			<div style="display: flex; justify-content: space-around;"> <div> <p>With lock RONIS EL11AP</p> </div> <div> <p>With lock CASTELL K</p> </div> </div>

(1) Ø31 to Ø37: Rear screw mounting Ø37: front clip mounting.

poign\_033\_a\_1\_gb\_cat

SIRCOVER Bypass 800 to 1600 A / B6 to B7

Handle type	Front operation Direction of operation	Door drilling	
<b>C type</b>			<p>With lock CASTELL K</p>

poign\_022\_a\_1\_gb\_cat